

CS 8600 Series

Monochrome Standard-Video CCD Camera Series



- **1/3" or 1/2" Interlaced CCD Sensor**
- **CCIR: 768(H) x 494(V) pixel**
EIA: 752(H) x 582(V) pixel
- **Ultra Compact and Light Weight**
- **Restart/Reset, Internal/External Sync**
- **Random Trigger Shutter (RTS)**
- **Frame/Field Integration**
- **Application**
 - Machine vision
 - Factory automation
 - Quality control



Technical Data

Type

CS 8600 series

TV system

EIA /CCIR (suffix "C")

Image sensor

Interline CCD

CS8620i

ICX418ALL

CS8620Ci

ICX419ALL

CS8630i

ICX408AL

CS8630Ci

ICX409AL

CS8620Hi, NIR sensitive

ICX428AL-7

CS8620HCi, NIR sensitive

ICX429AL-7

Active pixel

EIA: 768 (H) x 494 (V) / CCIR: 752 (H) x 582 (V)

Pixel size

CS8620i, CS8620Hi

8.4(H) x 9.8(V) μ m

CS8620Ci, CS8620HCi

8.6(H) x 8.3(V) μ m

CS8630i, CS8630H

6.35(H) x 7.4(V) μ m

CS8630Ci, CS8630HC

6.5(H) x 6.25(V) μ m

Image Area

CS8620i, CS8620Ci

6.5(H) x 4.85(V) mm

CS8620Hi, CS8620HCi

CS8630i, CS8630Ci

4.8(H) x 3.6(V) μ m

CS8630H, CS8630HC

Scanning lines

525 (EIA) / 625 (CCIR)

Scanning format

2:1 Interlace

Sync system

Internal/External synchronization

Aspect ratio

4:3

Illumination

Minimum: GAIN MAX, Gamma=0.45

CS8620i, CS8620Ci

0.2 Lux, F1.4

CS8630i, CS8630Ci

0.2 Lux, F1.4

CS8620Hi, CS8620HCi

0.1 Lux, F1.4

CS8630H, CS8630HC

0.2 Lux, F1.4

Sensitivity setting

AGC (Automatic Gain Control), Manual

Gamma

1.0 / 0.45 selectable

Video output

VS: 1.0V(p-p)/75 Ohm terminated

Resolution

EIA

570TV lines (H), 485 lines (TV lines)(V)

CCIR

560TV lines (H), 575 lines (410TV lines)(V)

S/N

60dB(p-p)/rms (GAIN: FIX, Gamma=0)

Input Signal

External Sync signal

HD, VD/SYNC (2 to 6V(p-p)) / VS: 1.0V(p-p) SYNC 0.3V(p-p)

Electronic Shutter Spec

Normal shutter

Shutter speed in 8 steps 1/50, 1/120, 1/250, 1/500, 1/1000, 1/2000, 1/4000, 1/10000s

Random Trigger Shutter (RTS)

Shutter timing defined by external trigger signal

Restart/Reset

Available via external VD signal

Shutter Trigger Spec

Input level

VL= 0.0 to 0.5V, VH= 2 to 5V

Input impedance

High impedance

Polarity

Positive

Pulse width

2 μ s to 1/4s

Output Signals

HD / VD, Clock

White-clip

Clip-level: 820mV(p-p) (Excluding SYNC)

CCD storage mode

Field/Frame storage (integration), Switch-able by inner SW selection (initial factory setting: frame storage)

Lens mount

C-Mount

Power supply

DC12V +/-10% [Ripple level: Less than 10mV(p-p)]/ approx 140mA

Ambient condition

Operation: -10°C to 50°C, Humidity: 20 to 80%

Dimension

29(H) x 29(W) x 32(D)mm (Excluding protruding part)

Weight

approx. 50g

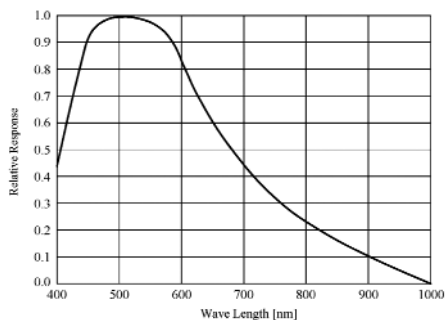
Options

Power supply 0.8A: PS-A05C1-12MT-K, Power supply 1.3A: PS-A15D3-12MP-K

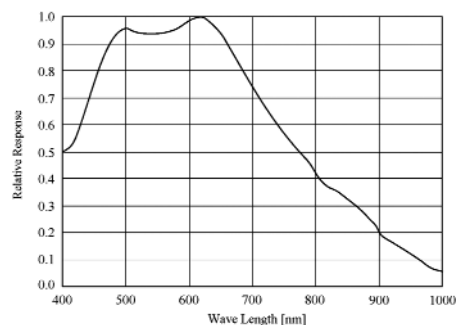
Tripod mount: CA-Base-PlateCS8600

Relative Spectrum Response

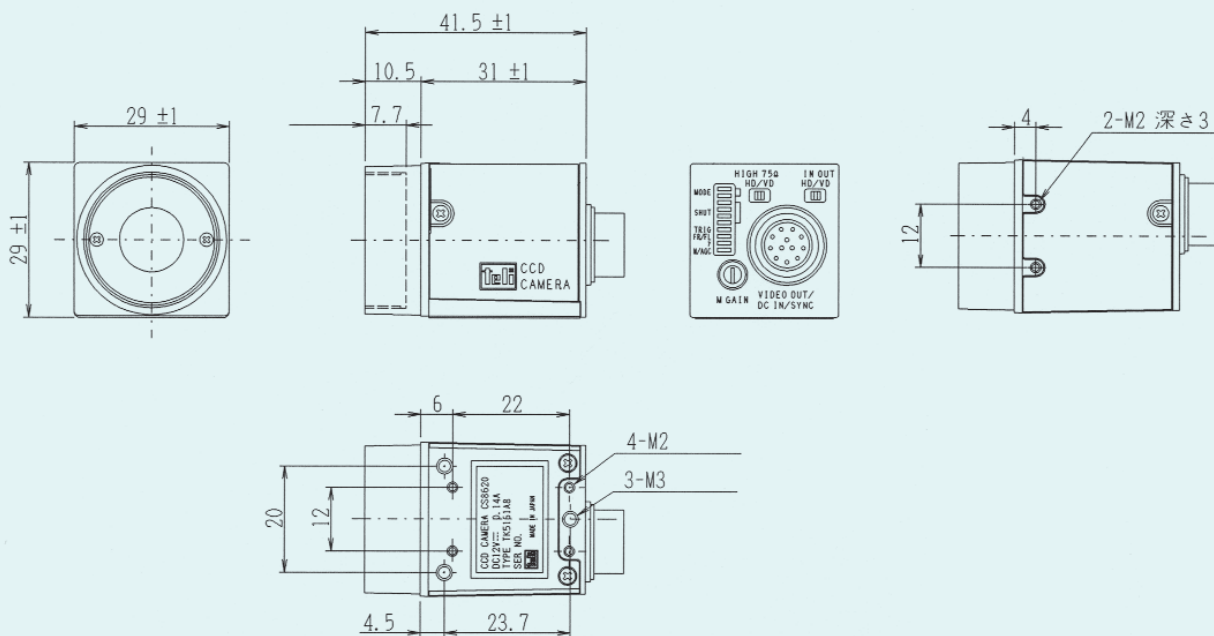
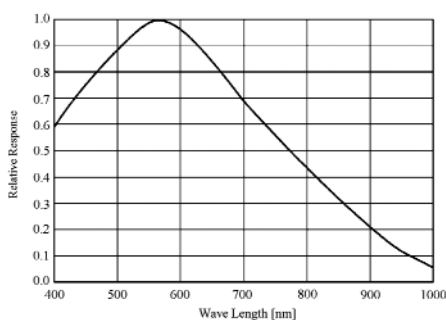
CS8620i
CS8620Ci
CS8630i
CS8630Ci



CS8620Hi
CS8620HCi



CS8630H
CS8630HC



NEW ELECTRONIC TECHNOLOGY Vertriebs-GmbH

Lerchenberg 7 • D 86923 Finning, Germany • Phone: +49(0)88 06 - 92 34-0 • Fax: +49(0)88 06 - 92 34-77

E-mail: info@net-gmbh.com

NET USA, Inc.

3037-45th Street #8 • Highland, IN 46322 • Phone: (219) 934-9042 • Fax: (219) 934-9047

E-mail: info@net-usa-inc.com

www.net-gmbh.com