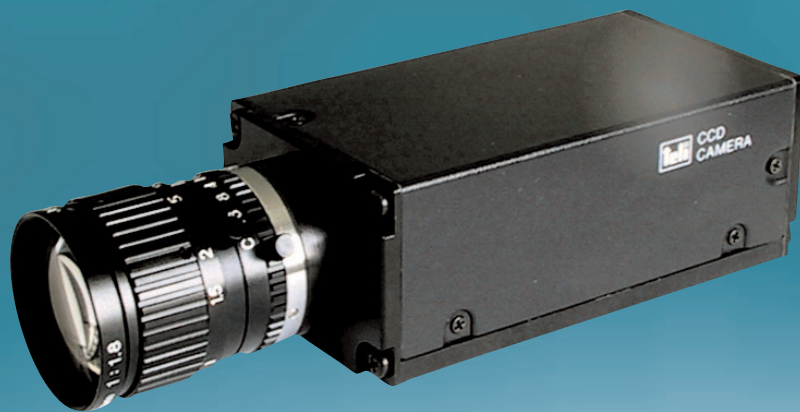


CS 8550DiF

**Double Speed B/W Progressive Scan
CCD Video Camera**



- **1/3" Progressive Scan CCD Sensor Square pixel**
- **IEEE 1394 Interface**
- **Partial Scan with block read out**
- **Hard- / Software Trigger**
- **Double Speed Video Output (60fps)**
- **Normal Electronic and Random Trigger Shutter (RTS)**
- **Camera parameter setting via IEEE1394 Interface**
- **Application**
 - Machine vision
 - Factory automation
 - Quality control



Technical Data

Type

CS 8550DiF

Image sensor

	Progressive Scan Interline CCD
	Type: ICX 424 AL
Total pixel	692 (H) x 504 (V)
Scanning area	4.88(H) x 3.66(V) mm (=equivalent to 1/3" type)
Unit pixel size	7.4 (H) x 7.4 (V) μ m (Square grid pattern)
Video output pixels	640 (H) x 480 (V)
Resolution	485 TV lines (H)
Subject illumination	400 Lux (F5.6)
Minimum illumination	4 Lux (F1.4) (GAIN Max., approx. 50% video output)
Sensitivity setting	Setting is available as follows via communication command GAIN: -/+ 6dB
Gamma	1.0 fixed
Power supply	From DC +8V through DC +30V (IEEE 1394 cable power supply)
Power consumption	3.2W (at +12V)

Interface

	Conform to IEEE Std.1394a-2000
Transfer speed	400Mbps
Video mode	Format_0 Mode_5 (60fps 640 x 480 Mono 8bit)
Protocol	Conforms to 1394-based Digital Camera Specification ver. 1.3
Input signal	Conforms to TRIG (Shutter Trigger) EIA-644
Grabbing timing	Falling edge detection
Pulse width	Minimum: 2 micro s / Maximum: 1 s
Partial scan	Partial scan function with random access to 16 blocks

Electronic Shutter Spec

Normal	Initial: Normal electronic shutter Setting via IEEE1394 interface Selection among 8 steps: 1/20000, 1/8000, 1/4000, 1/2000, 1/1000, 1/500, 1/200s, OFF (Initial:OFF)
Random Trigger Shutter	Setting via IEEE1394 interface Selection among 8 steps: 1/20000, 1/8000, 1/4000, 1/2000, 1/1000, 1/500, 1/200, 1/60s

Ambient condition

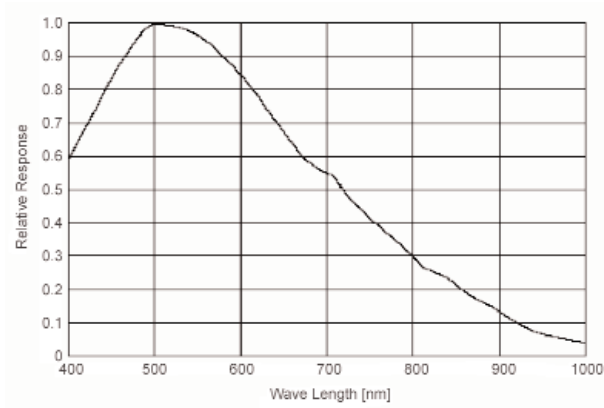
Performance guaranteed	Temperature: 0°C through 40°C Humidity: 30% to 70%
Operation guaranteed	Temperature: -5°C to 45°C Humidity: 30% to 90%
Storage	Temperature: -20°C to 60°C Humidity: 10% to 90%
EMI	Conform to EN 50081-2

Mechanical Spec

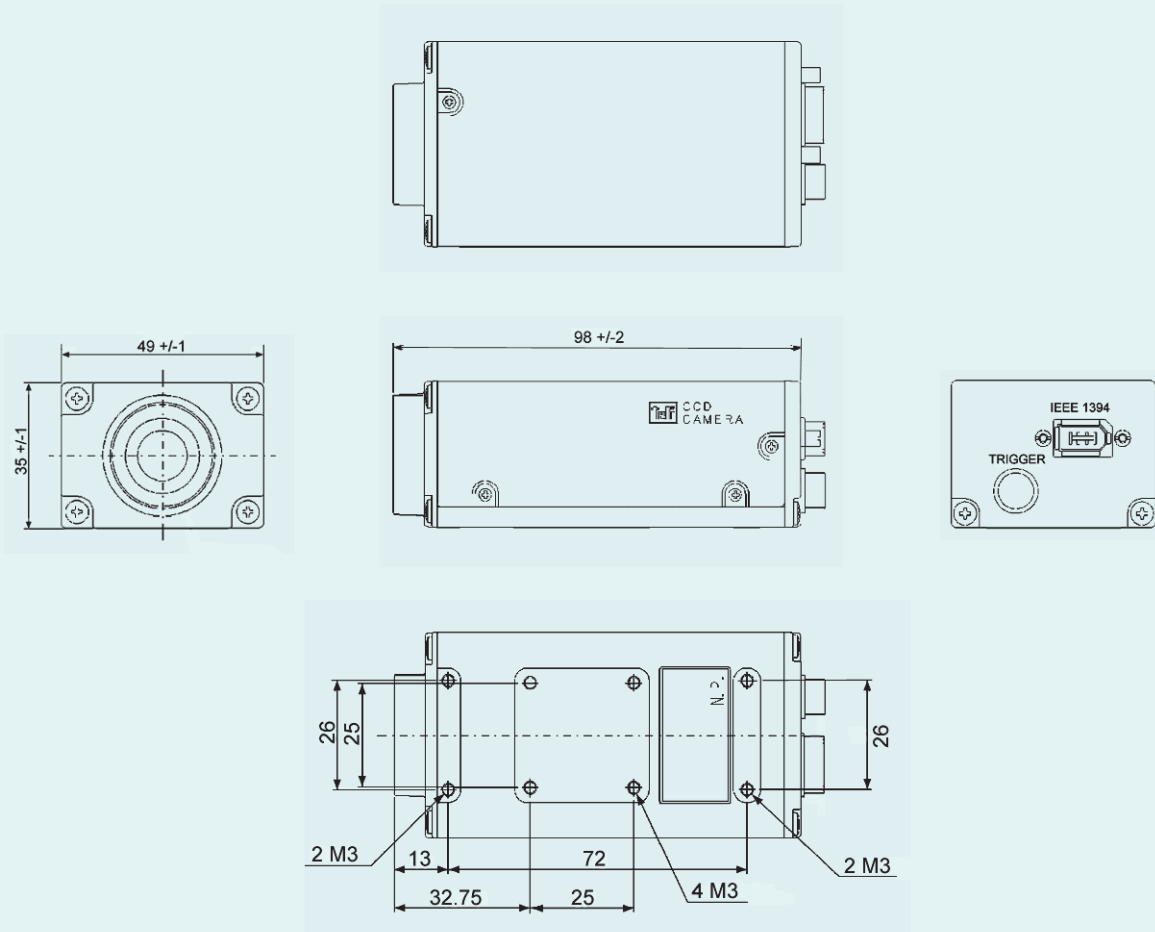
Lens Mount	C-mount
Dimension	35 (H) x 49 (W) x 98 (D)mm
Weight	170g

Relative Spectrum Response

**Including lens characteristics, excluding light source characteristics*



Outline



NEW ELECTRONIC TECHNOLOGY Vertriebs-GmbH

Lerchenberg 7 • D 86923 Finning, Germany • Phone: +49(0)88 06 - 92 34-0 • Fax: +49(0)88 06 - 92 34-77

E-mail: info@net-gmbh.com

NET USA, Inc.

3037-45th Street #8 • Highland, IN 46322 • Phone: (219) 934-9042 • Fax: (219) 934-9047

E-mail: info@net-usa-inc.com

www.net-gmbh.com