

CS 8400 Series

Monochrome Standard-Video CCD Camera Series



- **1/3" or 1/2" Interlaced CCD Sensor**
- **CCIR: 768(H) x 494(V) pixel**
EIA: 752(H) x 582(V) pixel
- **Compact and Light Weight**
- **Internal/External Sync**
- **Application**
 - Machine vision
 - Factory automation
 - Quality control



Technical Data

Type

CS 8400 series

TV system

EIA /CCIR (suffix "C")

Image sensor

Interline CCD

CS8420i

ICX418ALL

CS8420Ci

ICX419ALL

CS8430i

ICX408AL

CS8430Ci

ICX409AL

Active pixel

EIA: 768 (H) x 494 (V) / CCIR: 752 (H) x 582 (V)

Pixel size

CS8420i

8.4(H) x 9.8(V) μ m

CS8420Ci

8.6(H) x 8.3(V) μ m

CS8430i

6.35(H) x 7.4(V) μ m

CS8430Ci

6.5(H) x 6.25(V) μ m

Image Area

CS8420i, CS8420Ci

6.5(H) x 4.85(V) mm

CS8430i, CS8430Ci

4.8(H) x 3.6(V) μ m

Scanning lines

525 (EIA) / 625 (CCIR)

Scanning format

2:1 Interlace

Sync system

Internal/External synchronization

Aspect ratio

4:3

Minimum Illumination

GAIN MAX, Gamma=0.45

CS8420i, CS8420Ci

0.3 Lux, F1.4

CS8430i, CS8430Ci

0.6 Lux, F1.4

Sensitivity setting

AGC (Automatic Gain Control), Manual, Fix

Gamma

Fix 1.0

Video output

VS: 1.0V(p-p)/75 Ohm terminated

Resolution

EIA

570TV lines (H), 485 lines (TV lines)(V)

CCIR

560TV lines (H), 575 lines (410TV lines)(V)

S/N

56dB(p-p)/rms (GAIN: FIX, Gamma=0)

Input Signal

External Sync signal

HD, VD/SYNC (2 to 6V(p-p)) / VS: 1.0V(p-p) SYNC 0.3V(p-p)

Electronic Shutter Spec

Shutter speed in 8 steps 1/50,1/120, 1/250, 1/500, 1/1000, 1/2000, 1/4000, 1/10000s

Output Signals

HD / VD

White-clip

Clip-level: 820mV(p-p) (Excluding SYNC)

CCD integration mode

Field/Frame storage (integration), switchable by inner SW selection

Lens mount

C-Mount

Power supply

DC12V -/+10% approx 210mA

Ambient condition

Temperature: -10°C to 40°C, Humidity: Less than 90%

Dimension

29(H) x 31(W) x 70(D)mm (Excluding protruding part)

Weight

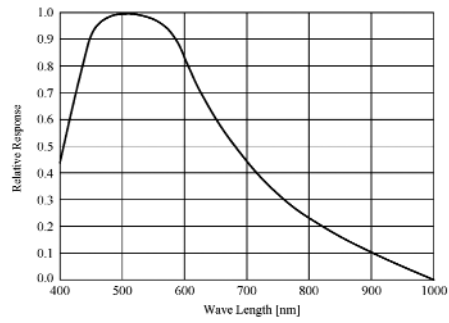
approx. 50g

Options

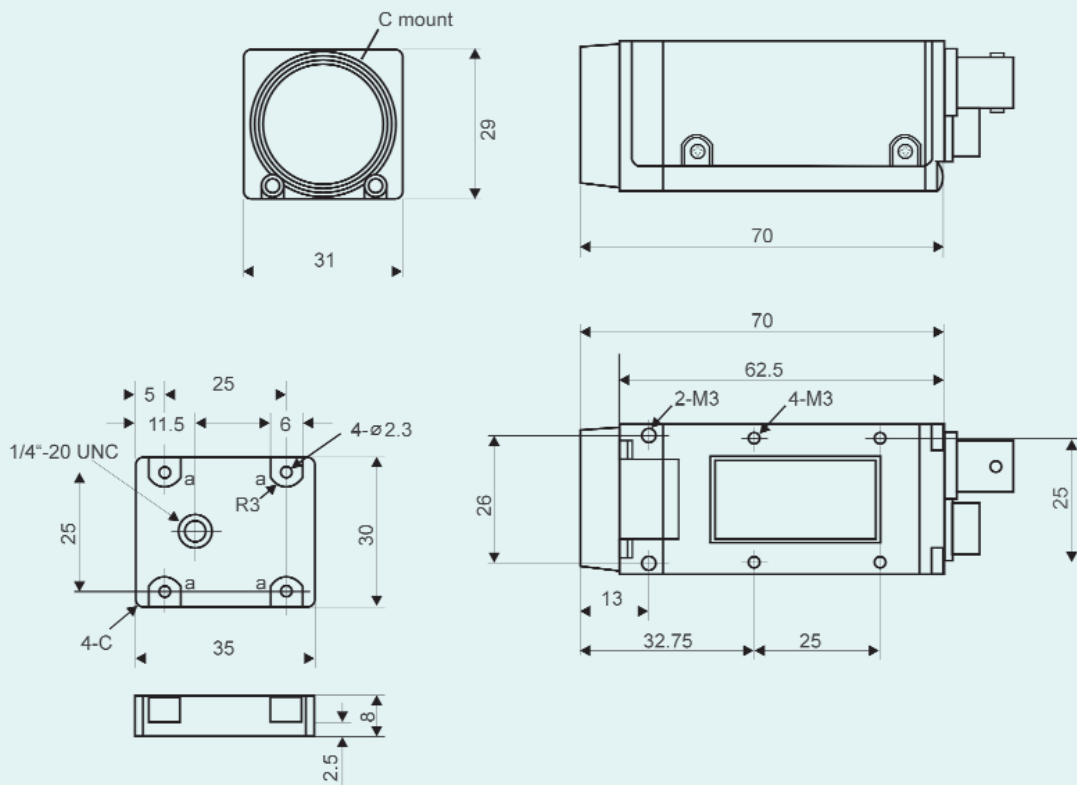
Power supply 0.8A: PS-A05C1-12MT-K, Power supply 1.3A: PS-A15D3-12MP-K

Tripod mount: CA-Base-Plate 4xM3

Relative Spectrum Response



CS8420, CS8430



NEW ELECTRONIC TECHNOLOGY Vertriebs-GmbH

Lerchenberg 7 • D 86923 Finning, Germany • Phone: +49(0)88 06 - 92 34-0 • Fax: +49(0)88 06 - 92 34-77

E-mail: info@net-gmbh.com

NET USA, Inc.

3037-45th Street #8 • Highland, IN 46322 • Phone: (219) 934-9042 • Fax: (219) 934-9047

E-mail: info@net-usa-inc.com

www.net-gmbh.com