

CS 5260BDIP

**Color Standard-Video
CCD Camera**

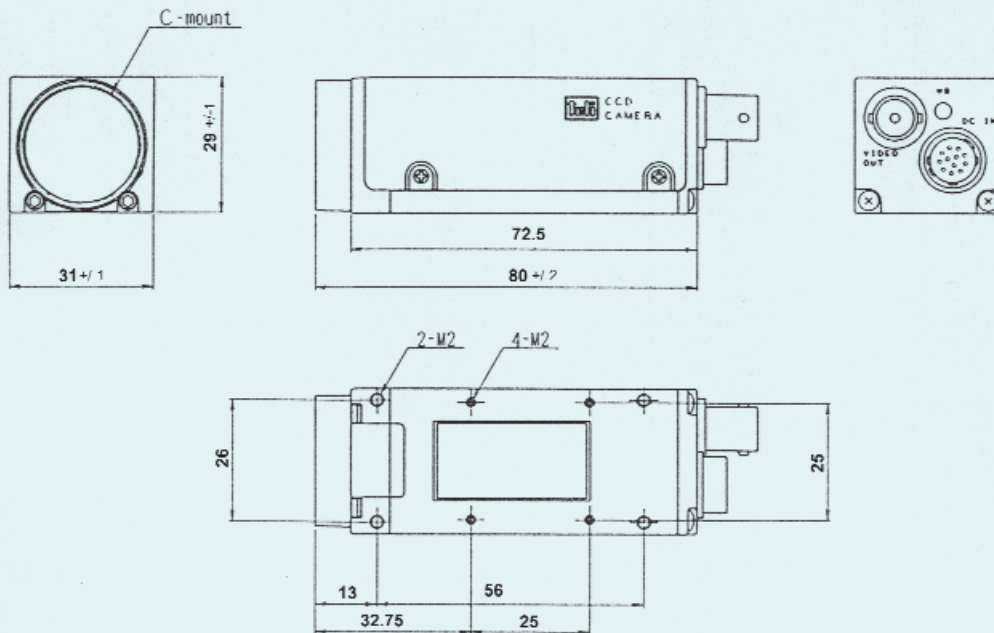


- **1/3" or 1/2" Intelaced CCD Sensor**
- **CCIR: 768(H) x 494(V) pixel**
EIA: 752(H) x 582(V) pixel
- **Compact and Light Weight**
- **Composite video and Y/C output**
- **Application**
 - *Microscopy*
 - *Quality control*
 - *Machine vision*



Technical Data

Type	CS5260BD/P
TV System	NTSC / PAL
Image sensor	1/2" CCD, Corrective Mosaic filter CS 5260BD ICX418AKL / CS 5260BDP ICX419AKL
Active pixel	768 (H) x 494 (V) NTSC 752 (H) x 582 (V) PAL
Pixel Size	8.4 (H) x 9.8 (V) μm (CS 5260BD), 8.6 (H) x 8.3 (V) μm (CS 5260BDP)
Image Area	CS 5260BD/P 6.5 (H) x 4.85 (V) mm
Scanning lines	525 (NTSC) / 625 (PAL)
Scanning format	2:1 Interlace
Sync system	Internal synchronisation
Scanning frequency	H: 15.625kHz (PAL), 15.734kHz (NTSC) / V: 50Hz (PAL), 59.94Hz (NTSC)
Aspect ratio	4:3
Minimum Illumination	GAIN Max, Gamma=0.45 CS 5260BD/P 4 Lux (F1.4)
Sensitivity setting	AGC (Automatic Gain Control), Manual, Fix
Gamma	Fix 1.0
Video output	1.0 Vp-p / 75 Ohm
White balance	Auto / Manual
Resolution	NTSC 470(H) x 350(V) / PAL 470 (H) x 420 (410 TV lines (V))
S/N	>46 dB(p-p)/rms (GAIN: FIX, Gamma=0)
Electronic Shutter Spec	Shutter speed in 8 steps 1/50, 1/120, 1/250, 1/500, 1/1000, 1/2000, 1/4000, 1/10,000s
CCD integration mode	Field storage (integration)
Lens mount	C-mount
Power supply	DC12V +/-10% approx. 200 mA
Ambient condition	Temperature: 0°C to 40°C, Humidity: 30 to 85%
Dimension	29 (H) x 31 (W) x 70 (D)mm
Weight	approx. 90g
Options	Power supply 0.8A:PS-A05C1-12MT-K, Power supply 1.3:PS-A15D3-12MP-K Tripod mount: CA-Base-Plate 4xM2 Camera Calibration Software, Interface Power Supply Windows-Software



NEW ELECTRONIC TECHNOLOGY Vertriebs-GmbH

Lerchenberg 7 • D 86923 Finning, Germany • Phone: +49(0)88 06 - 92 34-0 • Fax: +49(0)88 06 - 92 34-77

E-mail: info@net-gmbh.com

NET USA, Inc.

3037-45th Street #8 • Highland, IN 46322 • Phone: (219) 934-9042 • Fax: (219) 934-9047

E-mail: info@net-usa-inc.com

www.net-gmbh.com