

CS 3910H

**Monochrome 1.3 Mega Pixel Digital
CCD Progressive Scan
Video Camera with Partial Scan**



- **2/3" CCD Sensor**
Square grid pattern
- **1.3 Mega pixel, 1300 (H) x 1030 (V)**
- **12fps at full resolution**
- **24fps in double-speed scan mode**
- **Partial Scan Mode**
- **Random Trigger Shutter (RTS)**
- **Multiple Shutter**
- **Digital and analog output**
EIA-644, Single channel 10bit
- **Application**
 - Factory automation
 - Microscopy
 - Quality control



Technical Data

Type

CS3910H

Image Sensor

2/3" type 1.3 mega pixel progressive scan sensor

Active Pixel

1300 (H) x 1030 (V) square

Pixel Size

6.7 (H) x 6.7 (V) μm

Image Area

8.8(H) x 6.6(V) mm

Scanning System

Non interlace

Sync System

Internal / External Sync

Frame Rate

12Hz (full resolution) / 24Hz (2 lines read out)

Partial Scan Mode

1/2 image read out from the screen center

Aspect Ratio

5:4

Automatic Gain Control

On/Off

Illumination

100 lux (F4, 3200K), standard

1 lux (F1.4, Gain max.), minimum

Video Output

Digital: EIA-644 (data 10bit)

Analog: 1.0V / 75 Ohm

Output Signals

HD, VD, WEN: 4V(p-p)

S/N

>50 dB

Gamma Correction

1.0 Fix

Electronic Shutter Spec

Normal Shutter

ON: 1/30s, 1/60s, 1/125s, 1/1000s, 1/2000s, 1/4000s, 1/10000s, 8 steps

OFF: 1/12s or 1/24s, depend on mode

RTS (Random Trigger Shutter)

Trigger timing is defined by external trigger signal

Multiple Shutter

Images can be exposed more than 1 time

Lens Mount

C-Mount

Power Supply

DC12V \pm 10% / approx 3.6W

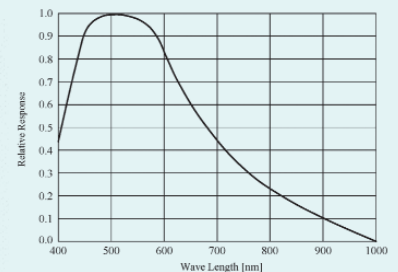
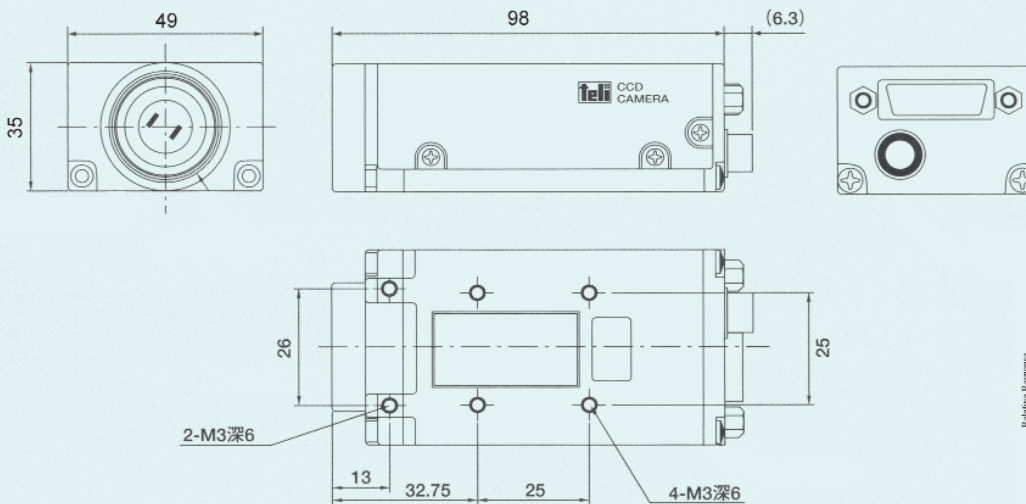
Ambient Condition

Temperature: -5°C to 45°C

Humidity: 0 to 90%

Dimension, Weight

49(W) x 35(H) x 98(D)mm, approx. 170g



NEW ELECTRONIC TECHNOLOGY Vertriebs-GmbH

Lerchenberg 7 • D 86923 Finning, Germany • Phone: +49(0)88 06 - 92 34-0 • Fax: +49(0)88 06 - 92 34-77

E-mail: info@net-gmbh.com

NET USA, Inc.

3037-45th Street #8 • Highland, IN 46322 • Phone: (219) 934-9042 • Fax: (219) 934-9047

E-mail: info@net-usa-inc.com

www.net-gmbh.com