

CS 3910

Monochrome 1.3 Mega Pixel Progressive Scan Digital CCD Video Camera



- **2/3" CCD Sensor**
Square grid pattern
- **1.3 Mega pixel, 1300(H) x 1030 (V)**
- **12 fps at full resolution**
- **24 fps in Double-speed Scan Mode**
- **Random Trigger Shutter (RTS)**
- **Digital and Analog Output**
EIA-644, Single channel 10bit
- **Application**
 - *Factory automation*
 - *Microscopy*
 - *Quality control*



Technical Data

Type

CS3910

Image sensor

2/3" type 1.3 mega pixel progressive scan sensor

Active pixel

1300 (H) x 1030 (V) square

Pixel size

6.7 (H) x 6.7 (V) μm

Image Area

8.8(H) x 6.6(V) mm

Scanning system

Non interlace

Sync system

Internal synchronization

Frame rate

12Hz (full resolution) / 24Hz (2 lines read out)

Aspect ratio

5:4

Illumination

100 lux (F4, 3200K), standard

1 lux (F1.4, Gain max.), minimum

Video output

Digital: EIA-644 (data 10bit)

Analog: 1.0V / 75 Ohm

S/N

>50 dB

Gamma correction

1.0 Fix

Electronic Shutter Spec

Normal Shutter

ON: 1/30s, 1/60s, 1/125s, 1/1000s, 1/2000s, 1/4000s, 1/10000s, 8 steps

OFF: 1/12s or 1/24s, depending on mode

RTS (Random Trigger Shutter)

Trigger timing is defined by an external trigger signal

Lens mount

C-Mount

Power supply

DC12V \pm 10% / approx 2.9W

Ambient condition

Temperature: 0°C to 40°C

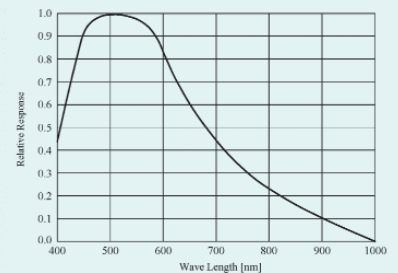
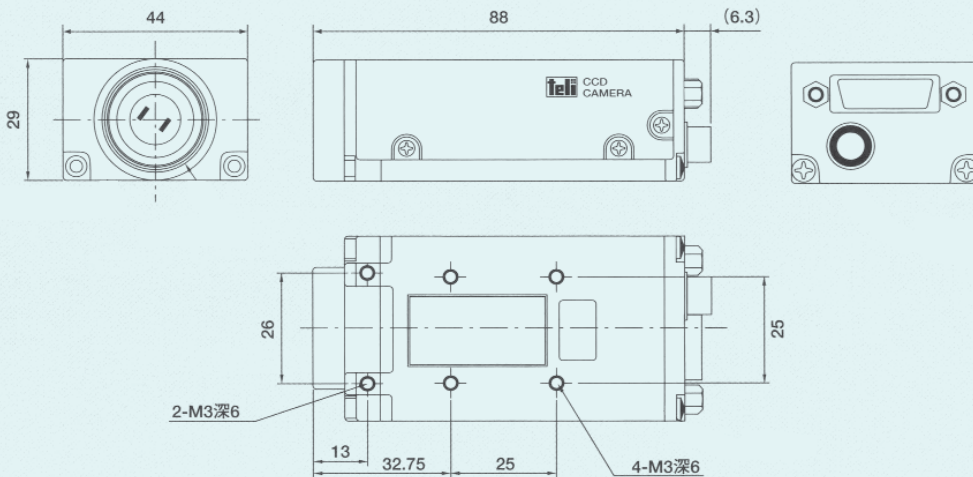
Humidity: 10 to 90%

Dimension

44(W) x 29(H) x 88(D)mm

Weight

Approx. 150g



NEW ELECTRONIC TECHNOLOGY Vertriebs-GmbH

Lerchenberg 7 • D 86923 Finning, Germany • Phone: +49(0)88 06 - 92 34-0 • Fax: +49(0)88 06 - 92 34-77

E-mail: info@net-gmbh.com

NET USA, Inc.

3037-45th Street #8 • Highland, IN 46322 • Phone: (219) 934-9042 • Fax: (219) 934-9047

E-mail: info@net-usa-inc.com

www.net-gmbh.com