

CS 3730DC

**Double Speed B/W Progressive Scan
CCD Video Camera**



- **1/2" Hyper HAD CCD Sensor**
Square pixel
- **Compact and Light Weight Body**
- **Double Speed Video Output (60fps)**
- **All Pixels Read Out**
- **Partial Scan**
- **Random Trigger Shutter**
- **Multiple Shutter**
- **Application**
 - Machine vision
 - Factory automation
 - Quality control



Technical Data

Type

CS 3730DC

Image sensor

1/2" Hyper HAD CCD Progressive Scan Sensor

Active pixel

782 (H) x 582 (V) square pixel

Pixel size

8.3 (H) x 8.3 (V) μm

Image Area

6.4 (H) x 4.8 (V) mm

Scanning system

2:1 interlace (1/100s), non interlace (1/50s)

Sync system

Internal/External (Automatic switch over)

Scanning frequency

Horizontal: 31.25 kHz

Vertical: 50 kHz(Under non interlace), 100 kHz (Under interlace)

Aspect ratio

4:3

Illumination

4 Lux (F1.4)

S/N

> 50dB

Gamma correction

1.0 fixed

Electronic Shutter

8 steps selectable (=OFF, 1/250, 1/500, 1/1000, 1/2000, 1/4000, 1/8000, 1/20000s)

Lens mount

C-Mount

Power supply

DC12V +/-10% / approx 280mA

Ambient condition

Temperature: 0°C to 40°C

Humidity: 30 to 90% (no condensation)

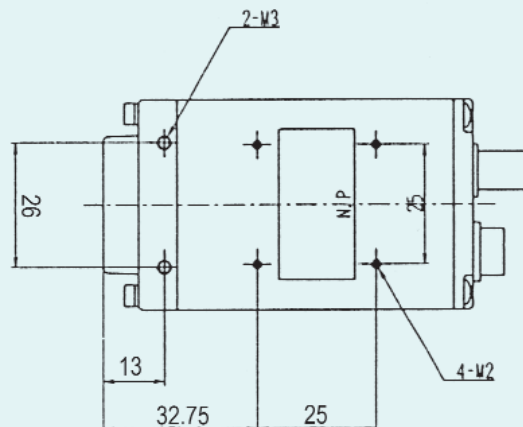
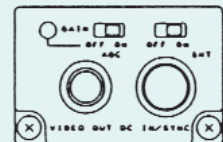
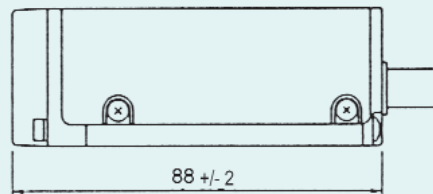
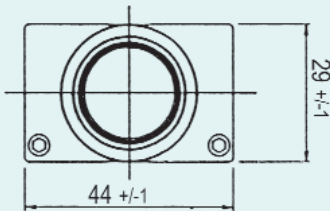
Dimension

29 (H) x 44 (W) x 88 (D)mm

Weight

140g

Dimension



NEW ELECTRONIC TECHNOLOGY Vertriebs-GmbH

Lerchenberg 7 • D 86923 Finning, Germany • Phone: +49(0)88 06 - 92 34-0 • Fax: +49(0)88 06 - 92 34-77

E-mail: info@net-gmbh.com

NET USA, Inc.

3037-45th Street #8 • Highland, IN 46322 • Phone: (219) 934-9042 • Fax: (219) 934-9047

E-mail: info@net-usa-inc.com

www.net-gmbh.com