

# Progressive Scan Remote Head B/W CCD Camera **CS3720F**

with IEEE1394 - Interface



- Data transfer 400Mps
- 60 frames/s
- 1/2" CCD



# Progressive Scan Remote Head B/W CCD Camera

# CS3720F

# IEEE 1394 Interface

## Features

### Double Speed Scan

Double Speed Scan up to 120 frames/s (dual line output) or 60 frames/s (single output)

### Square grid array CCD

The 1/2" CCD employs with square grid array.

### Random Trigger Shutter (RTS)

RTS mode for external timing control.

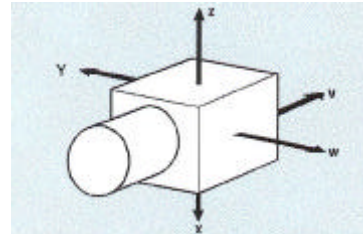
### Partial Scan Mode

Partial Scan mode available.

### Electronic shutter

The electronic shutter is very effective for applications where fast moving objects have to be captured. The switch for setting the shutter is located inside of the camera.

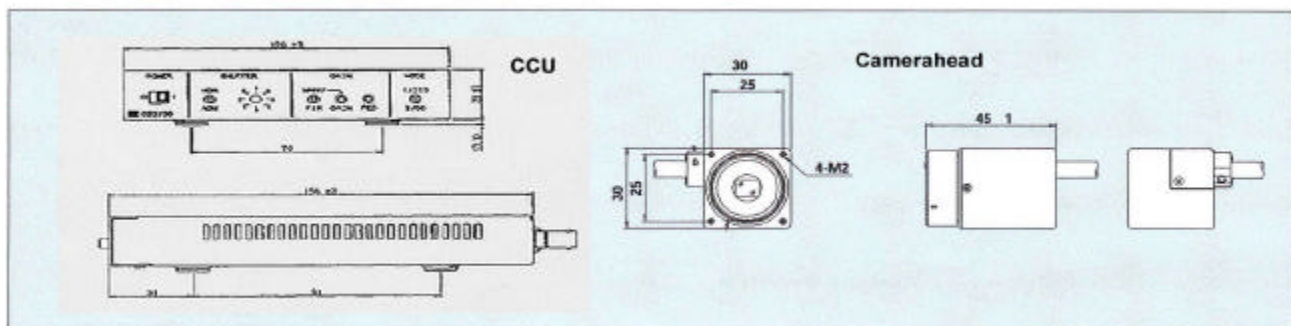
### Cable outlet



## Specification

| Item / Model         | CS3720F  | Item / Model       | CS3720   |
|----------------------|--|--------------------|--|
| Image sensor         | interline transfer CCD                               | SNR                | >= 50 dB   |
| Optical size         | 1/2" equivalent                                      | Input level        | Low: 0V ~ 1V <sub>p-p</sub> / 10k, high: 4V ~ 5V <sub>p-p</sub> / 10k              |
| Active pixel         | 659(H)x494(V) square                                 | Pulse width        | HD: 3.2μs±1μs (neg.) / VD: 125μs→400μs (neg.)                                      |
| Unit cell size       | 9.9(H)x9.9(V)μm                                      | Trigger Input      | Exposure timing cue signal input under RTS mode                                    |
| Scanning             | 6.4(H)x4.8(V)mm =(1/2" equivalent)                   | Level              | Low: 0V ~ 1V <sub>p-p</sub> / 10k, high: 4V ~ 5V <sub>p-p</sub> / 10k              |
| Scanning lines       | 525  | Pulse width        | > 5μs (neg.)   |
| Scanning system      | 2:1 interlace  | Output             | WEN CCD read out timing pulse under RTS mode                                       |
| Sync system          | Internal/External (automatic switchover)             | Level              | 1.0 V (p-p) / 75 Ω   |
| Transfer speed       | 400 Mbps   | Pulse width        | 1H (1 field under RTS mode)  |
| Subject Illumination | Standard: 400 lx (F5.6)<br>min: 4 lx (F1.4 gain max) | Electronic shutter | 1/20000, 1/8000, 1/4000, 1/2000, 1/1000, 1/500s / normal/ RTS via IEEE1394         |
| Interface            | IEEE 1394 - 1995 standard                            | γ - correction     | 1.0  |
| Videomode            | Format_0 Mode_5 (60fps 640x480 mono 8bit)            | Gain               | -10dB to +18dB via IEEE1394  |
| Resolution           | vert.: 485 TVL<br>hor.: 485 TVL                      | Lens mount         | C- Mount   |
|                      |  | Protocol           | Conforms to 1394 based Digital camera Spec. ver. 1.2                               |
|                      |  | Power supply       | +12V DC ± 10% / app. 8 W   |
|                      |  | Ambient condition  | Temp.: 0°C to +40°C, Humidity: <= 70%  |
|                      |  | Dimension/ Weight  | CCU: 120(W)x28(H)x156(D)mm / app.800g<br>Camerahead: 30(W)x30(H)x45(D)mm / app.70g |

## Dimension



**WARNING** : To prevent fire hazard, do not expose the unit to rain or moisture.

This symbol is meant to alert the user to the presence of important operating and maintenance (servicing) instructions in the literature accompanying the appliance.

The specification and design on this catalog are subject to change without notice.

## TOKYO ELECTRONIC INDUSTRY CO., LTD.

Head Office: 7-1,4 chome, Asahigaoka, Hino-shi, Tokyo 181-0005, Japan  
Phone:042-589-8771 FAX:042-589-8774

Kansai Branch: Nitto Building, 1-2, 2 chome, Sakaemachi-dori, Chuo-ku, Kobe, Hyego 650-0023, Japan  
Phone:078-321-3461 FAX:078-321-3463

Fukuoka Office: Yen Building, 7-21, 3 chome, Hirao, Chuo-ku, Fukuoka 810-0014, Japan  
Phone:092-523-3395 FAX:092-523-3397