

The versatility of the set makes it necessary in any laboratory in which the viability of a project is being studied.

It allows the illumination from the axis of the camera of non reflectant and reflectant surfaces by simply adding a diffusor filter.

By the changing a reflectant module, it can become a powerful darkfield angle of light on the surface to inspected. Moreover, it can be included in systems in which the space is a problem despite its reduced size its available surface is practically all its diameter.



LIGHTING TECHNIQUE

Lighting mode: Direct, Diffuse*, Darkfield*
Light source: 30 high intensity LEDs
Colour (nm): See table 1
LED life: Until 100.000 hours

ELECTRICAL

Max. power supply: 24VDC (Continuous models)
Max. consumption: 150mA (white model)
Wire include: VCB018 (See table 2)
Wire terminal: Brown -> 24VDC
 Blue -> 0V (GND)

MECHANICAL

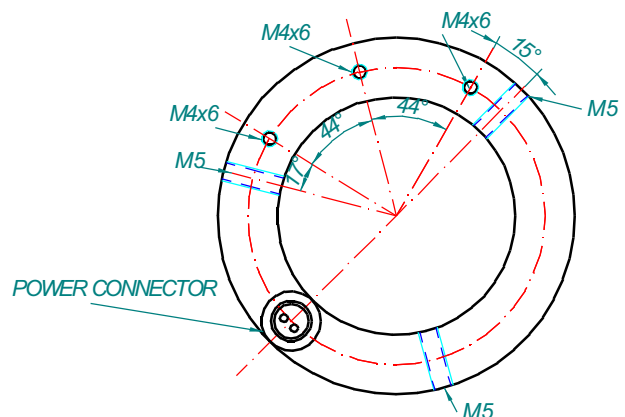
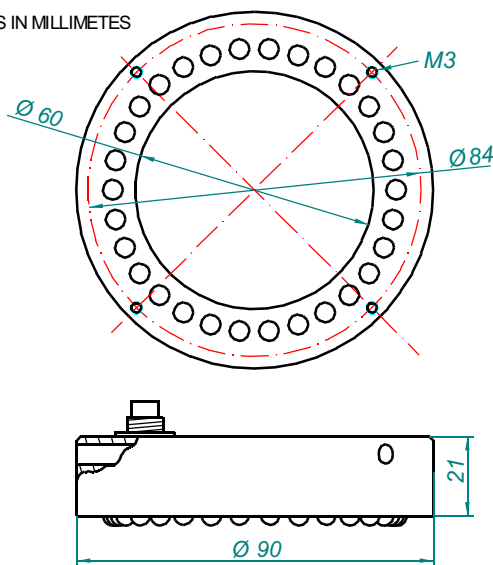
LxWxH: See external plane
Mounting: 3 (M4) & 3 (M5 DIN913)
Housing material: Black anodized aluminium
Weight: 180 g

ENVIRONMENTAL

Max. Operating Humidity: 95% non-condensing
Operating temp: 0..40°C
Storage temp: 0..60°C

EXTERNAL PLANE

ALL UNITS IN MILLIMETRES



Note:
 *Only with the optional accessory. See table 2.

MODELS

Table 1.

Ligth colour	Wavelength	Type	Reference
UV	400nm	Continuous	ALD0707A-400C
UV	400nm	Strobe	ALD0707A-400S
Blue	470nm	Continuous	ALD0707A-470C
Blue	470nm	Strobe	ALD0707A-470S
Green	525nm	Continuous	ALD0707A-525C
Green	525nm	Strobe	ALD0707A-525S
Red	630nm	Continuous	ALD0707A-630C
Red	630nm	Strobe	ALD0707A-630S
Near infrared	880nm	Continuous	ALD0707A-880C
Near infrared	880nm	Strobe	ALD0707A-880S
Infrared	940nm	Continuous	ALD0707A-940C
Infrared	940nm	Strobe	ALD0707A-940S
White	-----	Continuous	ALD0707A-W00C
White	-----	Strobe	ALD0707A-W00S
Others	-----	----	Consult

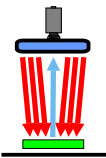
COMPLEMENTS

Table 2.

Complement	Type	Reference
Wire 1.8 m	Wire	VCB018
Wire 2.5 m	Wire	VCB025
Wire 4.0 m	Wire	VCB040
Strobe controller with 3 outputs	Strobe	VST33I
MD-DKL curved reflector	Darkfield	VRFALD0707A
MD-DIF filter	Diffusor	VDFALD0707A

LIGHTING MODES

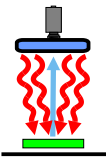
RADIAL DOWN LIGHT (STRONG LIGHT)



When the lighting comes from all the perimeter of the axis of the camera, it reduces shadows, softens textures and minimizes the influence of fissures, dust and faults that the object have. The down light, due to the small opening of the beam, allows the system to be employed for further distances of the object and provides a great quantity of light.

Ideal for the detection of different colours marks, characters and of everything that supposes a change in colour on flat bright surfaces as well as in rough ones in high distances.

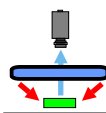
DIFFUSE RADIAL LIGHT (SOFT LIGHT) With filter VDFALD0707A



When the lighting comes from all the perimeter of the axis of the camera, it reduces shadows, softens textures and minimizes the influency of fissures, dust and faults that the object can have when it captures the image.

Ideal for the detection of different coloured marks, characters and the detection of everything that supposes a change of colour on flat bright surfaces as well as on rough ones.

DARK FIELD LIGHT With reflector VRFALD0707A



Direct light of high intensity that falls on the object with very little angle with regards to the surface where it lies.

In that way cracked or raised surfaces interfere in the trajectory of the light producing bright areas.

The most common applications for this technique are those to verify engravings, (laser), or defects on the surface.